

## GT50 SERIES 0-50W

0-50 Watts, DeskTop, Switchmode Universal Input,  
Single Output Family, ITE



INDOOR USE ONLY



### ELECTRICAL SPECIFICATIONS:

**INPUT VOLTAGE:**  
90 VAC TO 264 VAC

**INPUT CURRENT:**  
< 1.6 A RMS AT 90 VAC INPUT

**INPUT FREQUENCY:**  
47 HZ - 63 HZ

**OUTPUT CURRENT:**  
NO MINIMUM LOAD REQUIRED

**OUTPUT POWER (RATED):**  
50 WATTS MAX

**OUTPUT RIPPLE (PEAK TO PEAK):**  
1% OF OUTPUT VOLTAGE , PEAK TO PEAK, TYPICAL

**OUTPUT REGULATION (LINE/LOAD):**  
+/-5% MEASURED AT THE OUTPUT CONNECTOR

**LINE REGULATION:**  
+/- 1% TYPICAL MEASURED AT FULL LOAD

**TURN ON/ TURN OFF OVERTHOOT:**  
5% MAXIMUM, 1ms TYPICAL RECOVERY TIME FOR 25% STEP LOAD

**TURN-ON DELAY:**  
1 SEC TYPICAL

**HOLD-UP TIME:**  
10mS TYPICAL AT NOMINAL INPUT VOLTAGE AND FULL LOAD

**INRUSH CURRENT:**  
20A MAX COLD START FOR 115VAC

**EFFICIENCY:**  
75% TYPICAL AT NOMINAL INPUT AND FULL LOAD

**SWITCHING FREQUENCY:**  
100 KHZ TYPICAL

**OVER-VOLTAGE PROTECTION:**  
VOLTAGE LIMITED TO LESS THAN 130%, CROWBAR METHOD

**OVER-CURRENT / SHORT CIRCUIT:**  
HICCUP MODE WITH AUTO-RECOVERY (110 - 130% OF RATED LOAD), HICCUP MODE OUTPUT WILL AUTORECOVER UPON REMOVAL OF SHORT

**SAFETY APPROVALS:**  
UL 60950 (THIRD EDITION), CUL TO 22.2 NO. 60950, TUV TO EN60950, PSE TO J60950, CHINESE CCC MARK TO GB4943-2 001, GB9254-1998, GB17625.1-2003; C-TICK TO AS/NZ 60950, CB REPORT



### OTHER PROTECTION:

**INPUT LINE FUSING**

**DIELECTRIC WITHSTAND VOLTAGE:**  
4242VDC (3000VAC) FROM PRIMARY TO SECONDARY  
2121VDC (1500VAC) FROM PRIMARY TO SECONDARY

**LEAKAGE CURRENT:**  
<500uA at 264Vac INPUT VOLTAGE

**LINE SURGE:**  
EN 61000-4-5 LEVEL 4

**EMI:**  
COMPLIES WITH EN55022 CLASS B AND FCC PART 15 CLASS B WHEN TESTED WITH RESISTIVE LOAD, BOTH CONDUCTED AND RADIATED EMI.

**CE MARK:**  
EN55011, Group 1, Class B, EN55022 Class B, EN55011, Group 1, Class B; EN55024 / EN60601-1-2 / IEC 61000-4-3:2002; EN55024 / EN60601-1-2 / IEC 61000-4-6:2001 ; EN55024 / EN60601-1-2 / IEC 61000-4-8:2001; EN55024 / EN60601-1-2 / IEC 61000-4-11:2001; EN55024 / EN60601-1-2 / IEC 61000-4-2:2001; EN55024 / EN60601-1-2 / IEC 61000-4-2:2001; EN55024 / EN60601-1-2 / IEC 61000-4-5:2001; EN55024 / EN 61000-3-3 A1: 2001 / EN 61000-3-3 A1: 2001; EN55024 / EN 61000-3-2:2001 / EN 61000-3-2:2001. UNIT IS ELIGIBLE FOR CE MARK.

**MTBF:**  
GREATER THAN 50,000 HOURS AT 25°C AMBIENT TEMPERATURE NOMINAL LINE AND FULL LOAD (MIL-217 STD)

**OPERATING TEMPERATURE:**  
0°C TO 40°C AMBIENT TEMPERATURE

**STORAGE TEMPERATURE:**  
-40° C TO 80° C

**HUMIDITY:**  
0% TO 90% RELATIVE HUMIDITY

**NOTES:**

1. -: ITE MODEL OR (M): MEDICAL MODEL
2. EACH OUTPUT CURRENT MAY VARY WITHIN IT'S DESIGNATION RANGE, AS LONG AS OUTPUT POWER IS NOT EXCEEDED.
3. SINGLE OUTPUT UNITS ARE AVAILABLE FROM 3.3V UP TO 48V IN 0.1V INCREMENTS.
4. (X.X) OPTIONAL FOR SPECIFYING OUTPUT VOLTAGE DEVIATION FROM STANDARD MODEL. SUBTRACTING X.X VOLTS FROM STANDARD OUTPUT VOLTAGE.

### OUTPUT VOLTAGE / CURRENT:

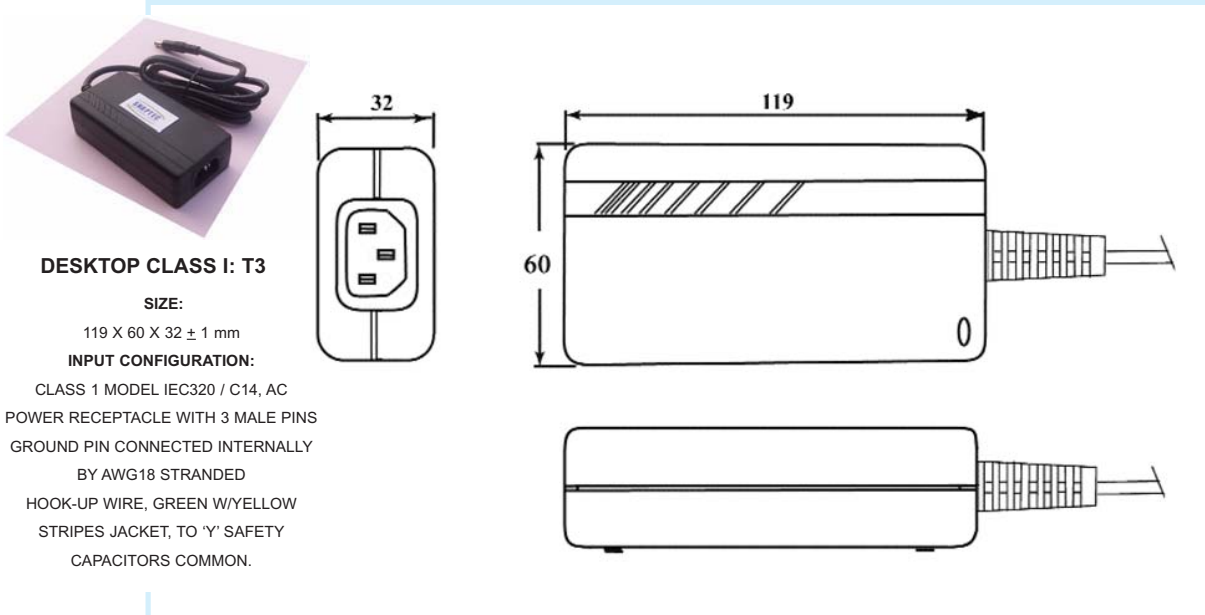
SNAPTEC MODEL NUMBER	OUTPUT VOLTAGE (VDC)	OUTPUT CURRENT (A)	RATED OUTPUT POWER (W)
GT50-2003	+3.3	0 - 6.0	0 - 20
GT50-3005-1.0	+4.0	0 - 6.0	0 - 24
GT50-3005-X.X	+5.0	0 - 6.0	0 - 30
GT50-4509-3.0	+6.0	0 - 5.0	0 - 30
GT50-4509-2.0	+7.0	0 - 5.0	0 - 35
GT50-4509-1.0	+8.0	0 - 5.0	0 - 40
GT50-4509-X.X	+9.0	0 - 5.0	0 - 45
GT50-5012-2.0	+10.0	0 - 5.0	0 - 50
GT50-5012-1.0	+11.0	0 - 4.5	0 - 50
GT50-5012-X.X	+12.0	0 - 4.17	0 - 50
GT50-5015-2.0	+13.0	0 - 3.8	0 - 50
GT50-5015-1.2	+13.8	0 - 3.6	0 - 50
GT50-5015-1.0	+14.0	0 - 3.5	0 - 50
GT50-5015-X.X	+15.0	0 - 3.3	0 - 50
GT50-5018-X.X	+18.0	0 - 2.8	0 - 50
GT50-5024-4.0	+20.0	0 - 2.5	0 - 50
GT50-5024-X.X	+24.0	0 - 2.1	0 - 50
GT50-5048-20.4	+27.6	0 - 1.8	0 - 50
GT50-5048-18.0	+30.0	0 - 1.7	0 - 50
GT50-5048-12.0	+36.0	0 - 1.4	0 - 50
GT50-5048-X.X	+48.0	0 - 1.1	0 - 50



 INDOOR USE ONLY

**ENCLOSURES**

UPPER HOUSING: HIGH IMPACT PLASTIC, 94V0 POLYCARBONATE, NON-VENTED, COLOR BLACK  
LOWER HOUSING: HIGH IMPACT PLASTIC 94V0 POLYCARBONATE, NON- VENTED, COLOR BLACK



**DESKTOP CLASS I: T3**

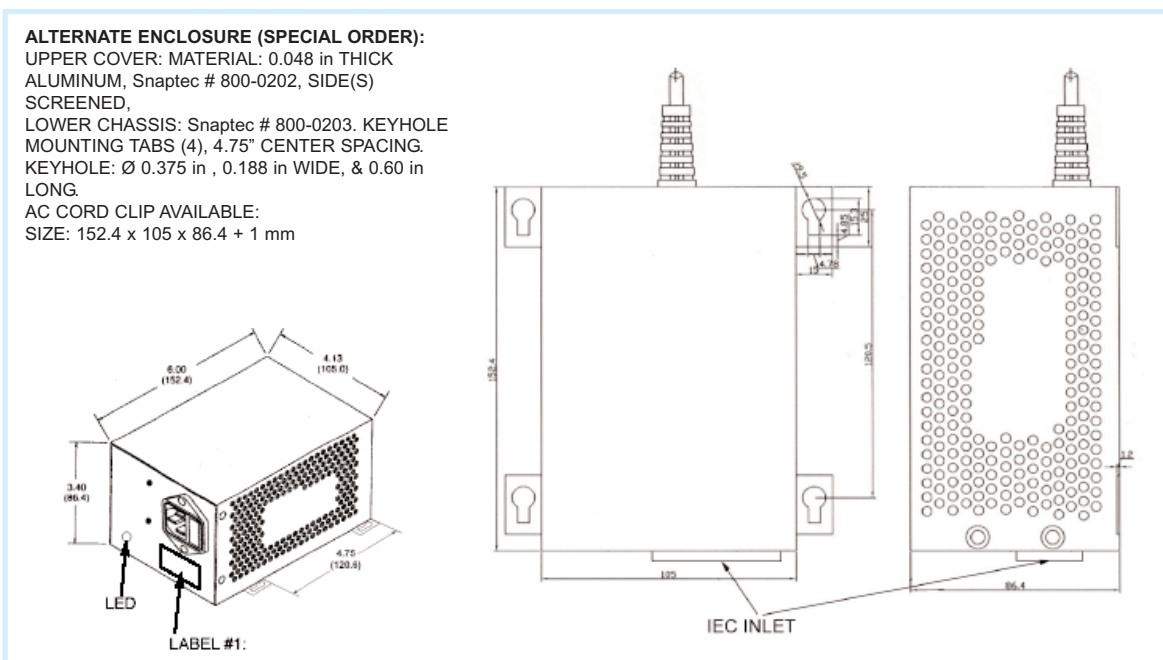
**SIZE:**  
119 X 60 X 32 ± 1 mm

**INPUT CONFIGURATION:**  
CLASS 1 MODEL IEC320 / C14, AC  
POWER RECEPTACLE WITH 3 MALE PINS  
GROUND PIN CONNECTED INTERNALLY  
BY AWG18 STRANDED  
HOOK-UP WIRE, GREEN W/YELLOW  
STRIPES JACKET, TO 'Y' SAFETY  
CAPACITORS COMMON.

**INDICATOR:**  
GREEN LED, OUTPUT PRESENT

**ALTERNATE ENCLOSURE (SPECIAL ORDER):**

UPPER COVER: MATERIAL: 0.048 in THICK ALUMINUM, Snaptec # 800-0202, SIDE(S) SCREENED,  
LOWER CHASSIS: Snaptec # 800-0203. KEYHOLE MOUNTING TABS (4), 4.75" CENTER SPACING.  
KEYHOLE: Ø 0.375 in , 0.188 in WIDE, & 0.60 in LONG.  
AC CORD CLIP AVAILABLE:  
SIZE: 152.4 x 105 x 86.4 + 1 mm



LED  
LABEL #1  
IEC INLET

SPECIFICATIONS MAY CHANGE WITHOUT PRIOR NOTICE. CONSULT SNAPTEC CUSTOMER SERVICE FOR LATEST SPECIFICATIONS.