

SR100A / D



SR100A 100W (continuous) Switch Mode Power Supply



Conservative design for long life
Rapid install with all plug-in connections
Wide input voltage window tolerance
Precise voltage AND current controls
Compact lightweight and highly efficient
Modern 'current-mode' topology
Suitable for battery charging duty
Models with or without temperature compensation

ISO9001 design management system

The SR100A DC power supply is a solid, reliable performer for a multitude of DC power applications up to 100W.

◆ 24 Month Warranty

SPECIFICATIONS All specifications are typical at nominal input, full load and at 25°C unless otherwise stated.

ELECTRICAL	
AC Input	230V nominal: 180V - 264V or 110V nominal: 88V - 132V
Frequency	50 / 60 Hz nominal : 45- 65 Hz
DC Input	200 - 375V (contact factory for other voltages)
Fusing / Protection	Internal AC input fuse
Isolation	3.5KVAC 1 min. in/output, 1KV DC input/ earth
Efficiency	≥ 85%
Inrush current	<30A, 1.8ms
Output Power	100W Continuous (0 - 50°C)
Output Voltages	13.8V, 27.6V, 41.4V, 55.2V @20 °C, Other voltages by request.
Voltage adj. range	85 - 105% of Vout
Temp. Compensation (option)	Temperature sensor on 2m lead with adhesive pad. Factory default: slope -4mV / °C / cell ±10%
Current Limit	Straight line current limit profile (sec. .side) 7.3A (13.8V) 3.6A (27.6V) 2.4A (41.4V) 1.8A (55.2V)
Line Regulation	<0.04% over input range
Load Regulation	<0.5% open circuit to 100% load
Ripple	<0.125%
Noise	<0.3%
Transient response	200mV over/ undershoot, load step 20-100%, 400us settling time
Hold-up time	15 - 20 mS (nom. - max. Vin) without battery

PHYSICAL	
Input connector	IEC320 inlet socket (similar to PCs etc.)
Connections - DC	Plug-in style socket & mating screw terminal block: (max. wire 2.5mm ² / way)
Fabrication	Zinc plated steel /powder coated lid
Indicators	Green LED for Power OK
Weight	0.94 Kg,

ENVIRONMENTAL	
Operating temperature	0 - 50 °C ambient at full load De-rate linearly >50 °C to 0 load @ 70 °C
Storage temperature	-10 to 85 °C ambient
Humidity	0 - 95% relative humidity non-condensing

STANDARDS	
EMI	to CISPR 22 / EN55022 class A
Safety	to IEC950 / EN60950 / AS/NZS3260

Accessories Supplied	Mounting Feet together with screws AC power cord Standard 1.5m lead with IEC320 socket / local plug DC connector with mating screw-terminal plug
Temperature Compensation equipped units	For accurate battery charging, temperature compensation adjusts voltages in accordance with external temperature probe.

100 Watt AC/DC stand alone switchmode Power Supplies

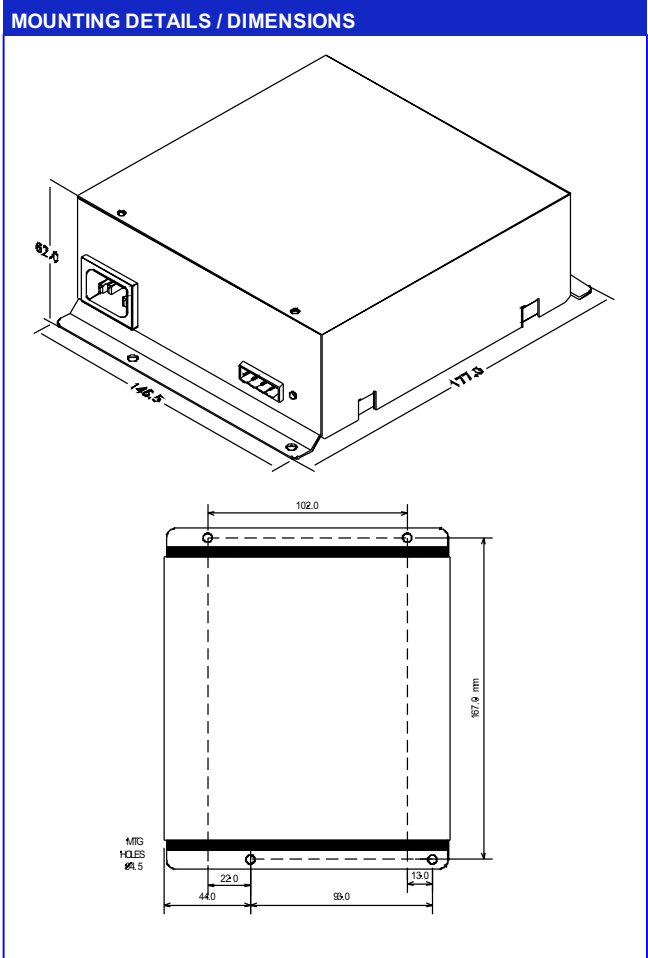


STANDARD PREFERRED MODEL TABLE			
MODELS	Output Voltage (factory default)	Output Current (continuous)	Adjustable range
SR100A12	13.8V	8.30A @12V	(11.4-14.4V)
SR100A24	24V	4.17A @ 24V	(22.8-28.8V)
SR100A36*	36V	2.78A @ 36V	(34.2-43.2V)
SR100A48	48V	2.08A @ 48V	(45.6-57.6V)

* Manufactured upon order (non-stock item).

STANDARD PREFERRED MODEL TABLE (with alarms)			
MODELS	Output Voltage (factory default)	Output Current (continuous)	Adjustable range
SR100D12	13.8V	8.30A @12V	(11.4-14.4V)
SR100D24	24V	4.17A @ 24V	(22.8-28.8V)
SR100D36*	36V	2.78A @ 36V	(34.2-43.2V)
SR100D48	48V	2.08A @ 48V	(45.6-57.6V)

Please specify on ordering if unit is to be used for battery charging duty.



ADDITIONAL OPTIONS (Physical)	
Rack mount	2RU x 19" rack - (rear Connection) <i>Refer rack mount</i>
Wall Mount Case	<i>Refer wall mount</i>

ADDITIONAL OPTIONS (Electrical)	
Temperature Compensation	As standard option on all SR 'A' Series power supplies.
Distribution Panel	3RU x 19" rack with MCB as required
Power OK alarm (D type only)	C - NO - NC full changeover rated 1A / 24V DC
Low voltage alarm (D type only)	C - NO - NC full changeover rated 1A / 24V DC Factory default: 1.83V / cell = 11, 22, 44V (for 12, 24, 48V batteries)

TERMS OF WARRANTY

Snaptec Australia warrants its power supplies for 24 months (two years) from date of shipment against material and workmanship defects.

Snaptec Australia's liability under this warranty is limited to the replacement or repair of the defective product as long as the product has not been damaged through misapplication, negligence, or unauthorized modification or repair.

MODEL CODING AND SELECTION CHART			
SR100A 12 T X G			
Input voltage and front panel switches:	230V AC = blank 110V AC = G 110V DC = J		
Temperature Compensation	Yes = T No = blank		
DC output: Nominal voltage	12, 24, 36, 48		
Function	Standard unit = A, Standard unit with alarms = D		