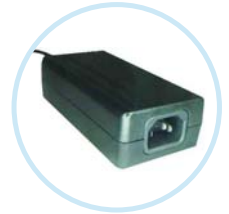


GT50CC SERIES 50W

Switching Battery Chargers



**Constant-Current, 20-50 Watt Single Output Family,
Desktop, Split-Rate Battery Charger Applications,
ITE and Medical**



1.1 DESKTOP POWER SUPPLIES CONSTANT CURRENT FAMILIES: TR9-CC

GENERAL DESCRIPTION:

THE SUBJECT MODELS ARE A SERIES OF AC/DC LOW-VOLTAGE SINGLE-OUTPUT, CONSTANT-CURRENT VOLTAGE-LIMITED SWITCHING POWER SUPPLIES(DESKTOP), UNIVERSAL INPUT/IEC 320 INPUT RECEPTACLE FOR CONNECTION OF POWER SUPPLY CORD SET, INTENDED FOR USE WITHIN INFORMATION TECHNOLOGY EQUIPMENT AND MEDICAL ELECTRICAL EQUIPMENT. THE MODELS HAVE EARTH GROUND CONNECTION AND ARE CONSIDERED CLASS "I" EQUIPMENT. THE MODELS ARE SIMILAR IN CONSTRUCTION. ALL MODELS USE THE SAME PRINTED WIRING BOARD LAYOUT AND MOST MODELS USE SAME TRANSFORMER; E.G.: VARIATION IN TURNS RATIO FOR GT(M)50 MODELS. CONSTANT CURRENT MODELS GT(M)50CC ARE DERIVATIVES OF CONSTANT VOLTAGE MODELS GT(M)50 BY ADDING CONSTANT-CURRENT OUTPUT SUB-ASSEMBLY TO THE STANDARD CONSTANT-VOLTAGE EQUIVALENT. DIFFERENCES IN OUTPUTS ARE OBTAINED THROUGH COMPONENT VALUE CHANGES, AS SHOWN IN THE FAMILY SCHEMATIC.

2. ELECTRICAL SPECIFICATIONS:

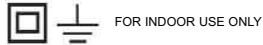
INPUT VOLTAGE: 90 VAC TO 264 VAC
INPUT CURRENT: < 1.6 A RMS AT 90 VAC INPUT
INPUT FREQUENCY: 47 HZ - 63 HZ
OUTPUT VOLTAGE / CURRENT:

OUTPUT RATING:

- +13.8 VDC @ 2.1A Part Number: TR9CJ2100LRP-Y-CC(R)
- +27.6VDC @ 1.5A Part Number: TR9CR1500CCP-Y-CC(R)
- +41.4VDC @ 1.2A Part Number: TR9CY1200LCP-Y-CC(R)

(REFER TO STATE DIAGRAM): CONSTANT CURRENT BULK CHARGE:
OUTPUT RATING (A) \pm 10% (ADJUSTABLE, FACTORY SET)
FLOAT- CHARGE VOLTAGE: 2.30 V/CELL NOM..
TRICKLE CHARGE CURRENT: 100mA TYP.

**Constant-Current, 20-50 Watt Single Output Family,
Desktop, Split-Rate Battery Charger Applications,**



OUTPUT CURRENT:
OUTPUT POWER (RATED):
OUTPUT RIPPLE (PEAK TO PEAK):
OUTPUT CURRENT REGULATION:

NO LOAD TO FULL LOAD, FACTORY SET
50 WATTS MAX
≤ 1% TYP.
± 5 % FOR MAIN OUTPUT, MEASURED AT O/P CONNECTOR



(LINE/LOAD)
LINE REGULATION:
TURN ON/ TURN OFF OVERSHOOT:

± 0.5 % MAX AT FULL LOAD
4% MAX 500uS MAX RECOVERY TIME FOR 25% STEP LOAD

TURN-ON DELAY:
HOLD-UP TIME:

1 SEC MAX
16 mSEC MIN AT NOMINAL INPUT AND FULL LOAD

INRUSH CURRENT:

20 A MAX AT COLD START FOR N.A.
(40A FOR EURO)

EFFICIENCY:
SWITCHING FREQUENCY:
OVER-VOLTAGE PROTECTION:

75 % TYPICAL
100 KHZ TYPICAL
VOLTAGE LIMITED LESS 130% OF NOMINAL VOLTAGE

OVER-CURRENT / SHORT CIRCUIT:

CURRENT LIMITED, AUTO RECOVERY HICCUP MODE

OTHER PROTECTION:

INPUT FUSING
REVERSE POLARITY PROTECTION: OUTPUT STEERING DIODE



SAFETY APPROVALS:
MEDICAL MODELS:

UL 2601, CUL TO 22.2 # 601, TUV EN60601-1, CE, CLASS I & II (FUNCTIONAL GROUND).

ITE MODELS:

UL60950, CUL TO 22.2 #950, TUV TO EN60950, CE, CLASS I & II (FUNCTIONAL GROUND).

DIELECTRIC WITHSTAND VOLTAGE:

4000VAC PRIMARY-SECONDARY; 1500 VAC PRIMARY -GROUND

LEAKAGE CURRENT:
LINE SURGE:
EMI:

< 0.1 mA
EN 61000-4-5 LEVEL 4
COMPLIES WITH EN55011 AND EN55022 CLASS B AND



FCC PART 15 CLASS B WHEN TESTED WITH RESISTIVE LOAD.

CE MARK:

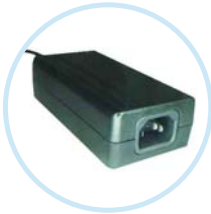
BOTH CONDUCTED AND RADIATED TESTED TO COMPLY WITH EN61000-3-2, -3-3, AND EN50082-1

MTBF:

INCLUDING EN61000-4-2, EN61000-4-3, EN61000-4-4, EN61000-4-5, EN61000-4-6, EN61000-4-11, LEVEL 4. UNIT IS ELIGIBLE FOR CE MARK. GREATER THAN 50,000 HOURS AT 25°C AMBIENT TEMPERATURE

OPERATING TEMPERATURE:
STORAGE TEMPERATURE:
HUMIDITY:

0 TO 40 C
-40 TO 80 C
0 TO 95% RELATIVE HUMIDITY

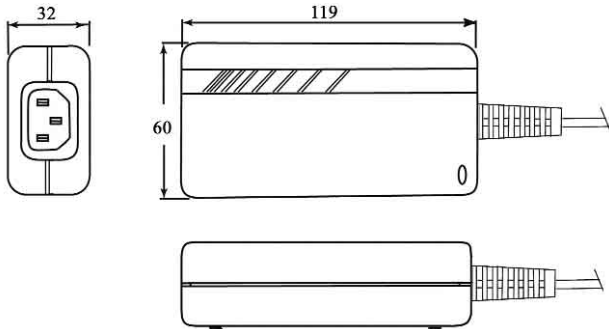




**Constant-Current, 20-50 Watt Single Output Family,
Desktop, Split-Rate Battery Charger Applications,**



 FOR INDOOR USE ONLY



3. ENCLOSURE

UPPER HOUSING: HIGH IMPACT PLASTIC, 94V0 POLYCARBONATE, NON-VENTED, COLOR BLACK

LOWER HOUSING: HIGH IMPACT PLASTIC 94V0 POLYCARBONATE, NON- VENTED, COLOR BLACK

SIZE: 119 x 60 x 32 + 1 mm

4. INDICATOR (2): AMBER: CHARGING; GREEN: CHARGED

5. INPUT CONNECTOR:

CONFIGURATION: CLASS 1 MODEL IEC320 / C14, AC POWER RECEPTACLE WITH 3 PRONGS

6. OUTPUT CORD:

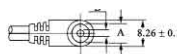
2 CONDUCTOR , 20 AWG STRANDED WIRE FLAT RATED UL2468 CORD TYPE, COLOR BLACK , LENGTH OF CORD: 1830 ± 50mm.

CORD IS MEASURED FROM THE HOUSING TO THE END OF OVERMOLD OF THE CONNECTOR. CABLE MARKED WITH WIRE GAUGE, AND ALL APPLICABLE RATING AND SAFETY APPROVALS.

7. OUTPUT CONNECTOR:

STANDARD, RIGHT ANGLE FEMALE BARREL 5.5 x 2.5 x 14.5 MM WITH CENTER POSITIVE.:

NOTE: FOR OTHER OUTPUT CORD/ CONNECTOR ARRANGMENT, SEE OUTPUT PLUG/CORD OPTIONS CATALOG ACCESSORIES.



**A = 5.5 mm
B = 2.5 mm
C = 14.5 mm**

