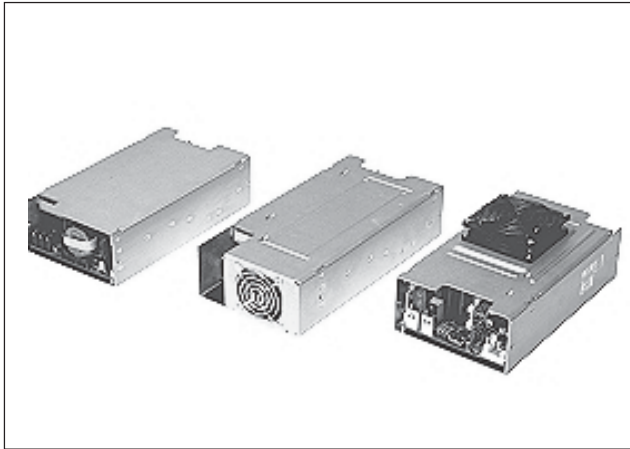


LPQ SERIES

AC/DC Triple Output: 150 ~ 300 Watts



Features

- Flexible design for OEM applications
- Optional single output models LPS250 and LPS350
- Auto ranging or universal 85 - 264 VAC input
- Active power factor correction 0.99
- EN61000-3-2 harmonics compliance LPQ250-350
- Remote sense on main output
- Single wire current share for parallel operation
- Floating V4 with wide adjustment range
- Power Fail and Remote Inhibit signals
- Built-in EMI filter
- Overload and overvoltage protection
- Thermal overload protection
- Safety to all international standards:
IEC950, UL1950, EN60950, CSA, CB Report, BABT
- CE marked
- Optional fan cover assemblies
- Low ripple typically 1% pk - pk V out
- High MTBF

Optional Single Output Models with Wide Adjustment Range:

V1	Range	LP250	LP350
5V	(3 - 6V)	50A	70A
12V	(6 -12V)	21A	29A
15V	(12 - 24V)	16.7A	23.3A
24V	(24 - 48V)	10.4A	16A

Dimensions

LPQ150: 216 X 108 X 38mm open frame
 LPQ250: 229 X 127 X 77mm top mounted fan
 LPQ250: 262 x 127 x 51mm end mounted fan
 LPQ350: 229 x 127 x 89mm top mounted fan
 LPQ350: 260 x 127 x 64mm end mounted fan

Specifications

INPUT VOLTAGE:	LPQ150: 110/240 auto ranging 220~370 VDC LPQ250~350: 85~264 VAC, 120~370 VDC
FREQUENCY:	LPQ150: 47~63Hz LPQ250~350: 47~440Hz
INRUSH CURRENT:	Typically 38A max., cold start
EFFICIENCY:	Model dependent 75%
EMI FILTER LPQ150:	Conducted: FCC Class B, EN55022 Class B
EMI FILTER LPQ250~350:	Conducted: FCC Class B, EN55022 Class B
POWER FACTOR:	LPQ250 - 350 0.99 EN61000-3-2
LEAKAGE CURRENT:	<0.5mA @ 50/60Hz 240 VAC input
OUTPUT POWER:	LPQ150: 110 - 150W LPQ250: 250W with fan cooling LPQ350: 350W with fan cooling
VOLTAGE ADJUSTMENT:	V1: $\pm 5.0\%$ V4: 3.3/5V~25V
MINIMUM LOAD:	Minimum load required, refer to table
TOTAL REGULATION:	$\pm 3\%$ line, load and cross regulation
PARALLEL OPERATION:	Yes with single wire ccurrent sharing
HOLD UP TIME:	20ms @ nominal input and full load
OVERLOAD PROTECTION:	Short circuit protection on all outputs. Case overload protected @ 100-145% above peak rating
OVERVOLTAGE PROTECT:	V1 only on LPQ150 All outputs LPQ250 - 350 @ 110 - 125%
POWER FAILURE:	TTL logic signal goes high 50 - 150msec after 5V output. It goes low at least 3msec before loss of regulation
REMOTE INHIBIT:	LPQ150: Requires an external TTL high signal to inhibit outputs. LPQ250-350: Requires an external contact relay (N.O or N.C.)
DC OK:	LPQ250-350: TTL logic goes high 50 - 150msec after 5V output. It goes low when there is loss of regulation
REMOTE SENSE:	Main output maximum 0.5V lead drop
OPERATING TEMP:	0°C to 50°C at rated load. Derate 2.5% per degree from 50°C to 70°C
EMC:	IEC801, -2, -3, -4, -5, -6 level 3 EN61000 - 3 - 2 harmonics LPQ250 - 350
HUMIDITY:	5% to 95% operating non-condensing >550,000 hours @ 25°C
SAFETY:	EN60950, UL1950, CSA, IEC950

LPQ SERIES



AC/DC Triple Output: 150 ~ 300 Watts

Model	V out	Minimum Load	A out convection cooling	A out 30 CFM Forced Air	A Peak	Power W 30 CFM Air (no cover)
LPQ152	+5V	2A	15A	22A	30A	150W
	+12V	0.1A	6A	8A	10A	
	-12V	0.1A	2A	2.5A	3A	
	±5 - 25V	0A	2.5A	3A	3A	
LPQ153	+5V	2A	15A	22A	30A	150W
	+15V	0.1A	4.8A	6.4A	8A	
	-15V	0.1A	1.6A	2A	2.4A	
	±5 - 25V	0A	2.5A	3A	3A	
LPQ154	+5V	2A	15A	22A	30A	150W
	+12V	0.1A	6A	8A	10A	
	-12V	0.1A	2A	2.5A	3A	
	24V	0.5A	3.5A	4.5A	5A	

- Open Frame maximum power 110W convection cooling
- Open Frame maximum power 150W with system 30CFM air cooling
- "C" optional Cover maximum power 130W with system 30CFM air cooling

Model	V out	Minimum Load	A out convection cooling	A out 30 CFM Forced Air	A Peak	Power W 30 CFM Air
LPQ252	+5V	3A	N/A	35A	40A	250W
	+12V	0A		10A	12A	
	-12V	0A		6A	8A	
	±5 - 25V	0A		6A	8A	
LPQ253	+5V	3A	N/A	35A	40A	250W
	+15V	0A		10A	12A	
	-15V	0A		6A	8A	
	±5 - 25V	0A		6A	8A	

- "CF" optional fan cover assembly (top mounted fan)
- "CFE" optional fan cover assembly (end mounted fan)

Model	V out	Minimum Load	A out convection cooling	A out 30 CFM Forced Air	A Peak	Power W 30 CFM Air
LPQ352	+5V	5A	N/A	50A	60A	350W
	+12V	0A		12A	14A	
	-12V	0A		6A	8A	
	3.3 - 24V	0A		6A	8A	
LPQ353	+5V	5A	N/A	50A	60A	350W
	+15V	0A		12A	14A	
	-15V	0A		6A	8A	
	3.3 - 24V	0A		6A	8A	

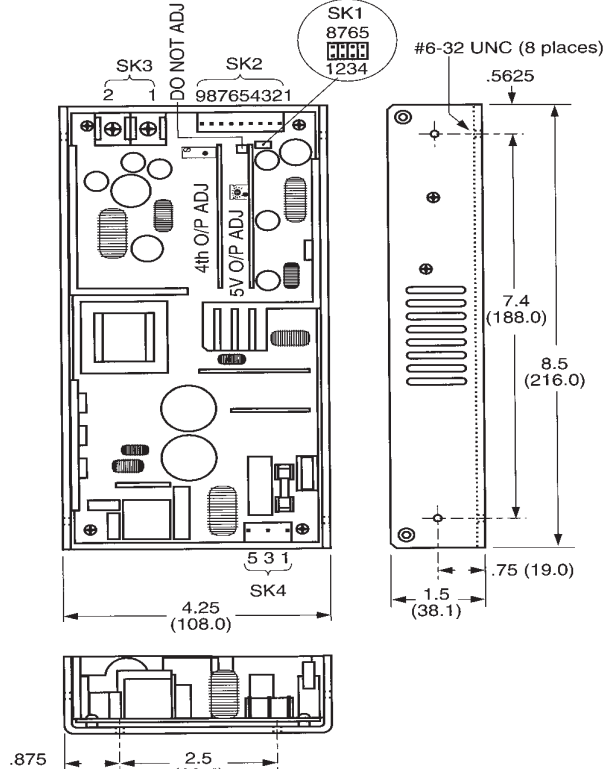
- "CF" optional fan cover assembly (top mounted fan)
- "CFE" optional fan cover assembly (end mounted fan)

LPQ SERIES

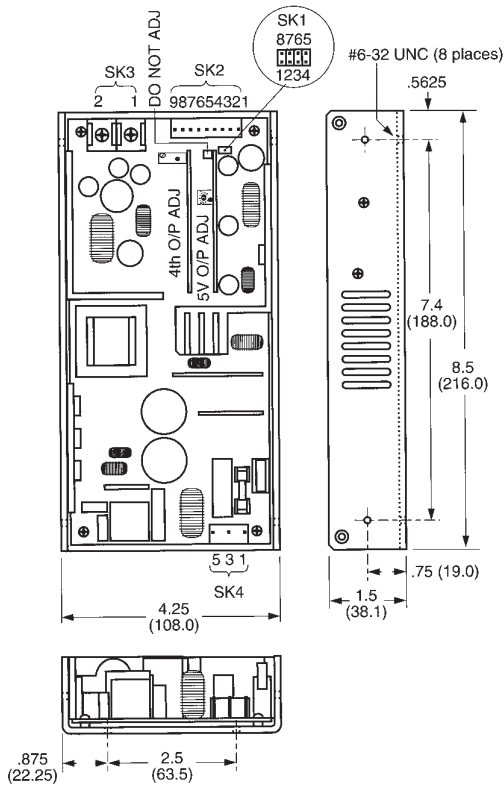
AC/DC Triple Output: 150 ~ 300 Watts



LPQ250



LPQ150



LPQ350

