

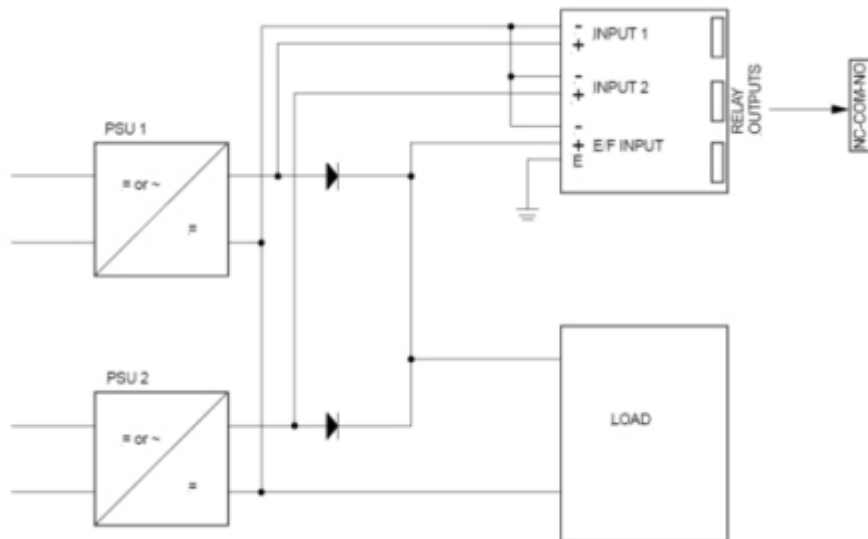
Multi Alarm Card



- Multi function alarm card
- 2 x DC adjustable high or low volt alarms - independently adjustable
- Earth fault alarm when either + or - rail
- C/O relay contacts rated 30VDC,2A / 110VDC,0.3A/ 125VAC,0.5A
- Available in different combinations, eg. DC low/high, earth fault detection only,etc.
- Semi-enclosed version available , add -C to model number



Example of N+1 redundant system with alarm card model M-ALARM-MV-MV-EFMV



Model Selection Table

Model Number	DC Input 1	DC Input 2	Earth Fault	Dimensions
M-ALARM-LV	11-16V	Not Fitted	Not Fitted	135 x 53 x 15 mm
M-ALARM-MV	20-60V	Not Fitted	Not Fitted	135 x 53 x 15 mm
M-ALARM-HV	61-150V	Not Fitted	Not Fitted	135 x 53 x 15 mm
M-ALARM-EFMV	Not Fitted	Not Fitted	20-60V	135 x 53 x 15 mm
M-ALARM-EFHV	Not Fitted	Not Fitted	60-150V	135 x 53 x 15 mm
M-ALARM-LV-LV	11-16V	11-16V	Not Fitted	135 x 53 x 15 mm

Multi Alarm Card

M-ALARM-MV-MV	20-60V	20-60V	Not Fitted	135 x 53 x 15 mm
M-ALARM-HV-HV	61-150V	61-150V	Not Fitted	135 x 53 x 15 mm
M-ALARM-MV-EFMV	20-60V	Not Fitted	20-60V	135 x 53 x 15 mm
M-ALARM-HV-EFHV	61-150V	Not Fitted	61-150V	135 x 53 x 15 mm
M-ALARM-MV-MV-EFMV	20-60V	20-60V	20-60V	135 x 53 x 15 mm
M-ALARM-HV-HV-EFHV	61-150V	61-150V	61-150V	135 x 53 x 15 mm