

Available as standard option for most Snaptec products



- 2U, 19"**
- All connections at rear**
- Alarm options**
- Metering options**
- Parallel redundancy options**
- Fully customised solutions**

2U, 19" rack mounting is available as an option to house any of the SR (switchmode) range of power supplies, DC/DC converters etc.

A wide range of options are available with this configuration, such as MCB's for mains or battery, alarms (i.e. battery low, mains fail), metering, parallel redundancy etc.

DC Distribution via fuses or circuit breakers may be added according to your individual needs.

Please contact us with your specific requirements.

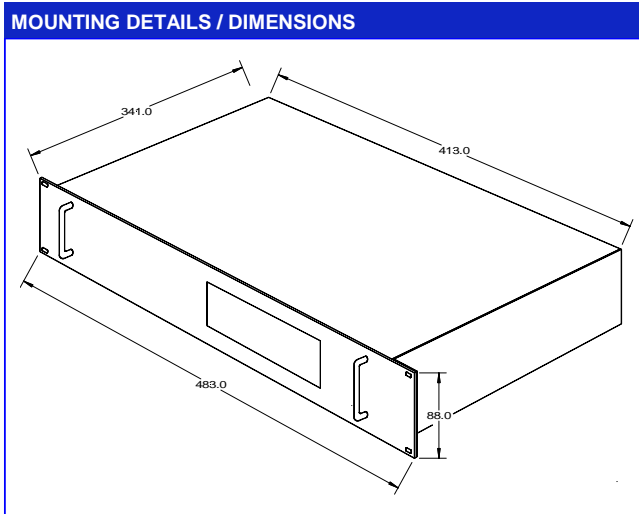
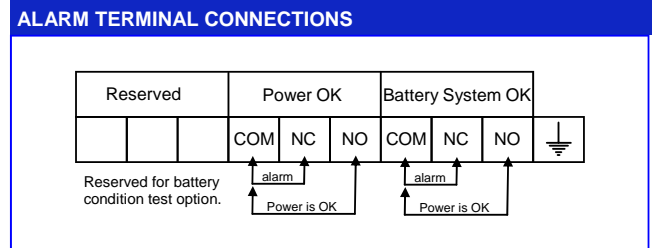
↓ # 24 Month Warranty

SPECIFICATIONS

ELECTRICAL	
Input	<i>PSU / Converter dependent</i>
Output	<i>PSU / Converter dependent</i>
Parallel Redundancy	Optional, via rack mounted diodes and optional front panel mounted LED indicators
Alarms	Optional, DC OK, DC low, battery system OK, battery condition test, etc.
Metering	Optional inclusion of our standard digital volt / current meter. (<i>refer meter - previous page</i>)

PHYSICAL	
Connections	Connections on rear of unit:
Input	IEC320 inlet socket (similar to PCs etc.)
Output	Plug-in style socket & mating screw terminal block: (max. wire 2.5mm ² / way)
Alarms	<i>Phoenix combicon plug, max wire 2.5mm²</i>
Switch	<i>Customer specified switch / no switch</i>
Fabrication	
Dimensions	<i>413 x 341 x 88mm (standard 2U 19" rack)</i>

CUSTOM DESIGN
Snaptec Australia specialises in customised configurations, Please contact us to discuss your specific requirements.



POSSIBLE CONFIGURATIONS	
SR100 x 1 or 2	IE-XR up to 4
SR250 x 1 or 2	IE HR x 1 or 2
SR500 x 1	Inverters x (<i>contact us</i>)
SR750 x 1	Parallel redundancy diodes
Meter - Digital LCD	
DC Distribution circuits by MCB	