

**KEY FEATURES**

- Power Module for PCB Mountable
- High Efficiency Up To 87%
- 2:1 Input Rang
- Six-sided Continuous Shield
- Standard Package
- Screw Terminal For Optional



**ELECTRICAL SPECIFICATIONS**

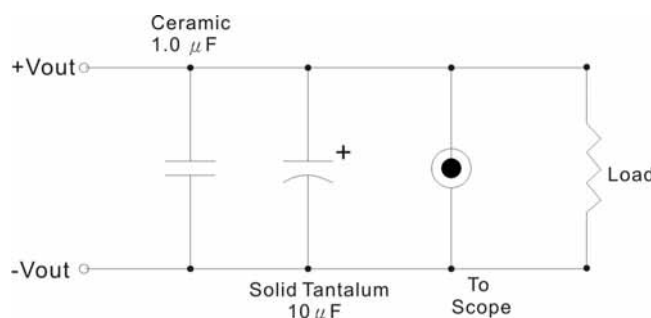
Model No.	SK40-48-1.8S	SK40-48-2.5S	SK40-48-3.3S	SK40-48-5S	SK40-48-12S	SK40-48-15S	SK40-48-24S
Max. Output Wattage (W)	14.4W	20W	26.4W	40W	40W	40W	40W
Input Voltage (V.DC.)	48V (36-75V)	48V (36-75V)	48V (36-75V)	48V (36-75V)	48V (36-75V)	48V (36-75V)	48V (36-75V)
Output Voltage (V.DC.)	1.8V / 8000mA	2.5V / 8000mA	3.3V / 8000mA	5V / 8000mA	12V / 3333mA	15V / 2666mA	24V / 1666mA
Efficiency (%)	78%	82%	84%	86%	83%	83%	84%

Model No. (Single Output)	SK40-48-1.8S	SK40-48-2.5S	SK40-48-3.3S	SK40-48-5S	SK40-48-12S	SK40-48-15S	SK40-48-24S	
Max output wattage (W)	14.4W	20W	26.4W	40W	40W	40W	40W	
Input	Input Filter $\pi$ type							
Output	Voltage (V.DC.)	1.8	2.5	3.3	5	12	15	24
	Voltage Accuracy	$\pm 2\%$						
	Current (mA) max	8000	8000	8000	8000	3333	2666	1666
	Line Regulation (LL-HL) (typ.)	$\pm 0.5\%$						
	Load Regulation (10-100%) (typ.)	$\pm 1\%$						
	Ripple (Vp-p)	50 mV max.			$\pm 1\%$ max.			
	Noise (Vp-p)	100 mV max.			$\pm 1\%$ max.			
	Trim	$\pm 10\%$						
Protection	Switching Frequency	400KHz						
	Over Power Protection	Works over 120% of rating and recovers automatically.						
	Over Voltage Protection	Zener diode clamp						
Isolation	Short Circuit Protection	Hiccup mode, auto-recovery						
	Voltage	1600 VDC.						
	Resistance	$10^8$ ohms						
Environment	Capacitance	1000 pF						
	Operating Temperature	$-25^{\circ}\text{C} \dots +70^{\circ}\text{C}$ (with derating) (40°C full load with 18 CFM Air Flow)						
	Storage Temperature	$-55^{\circ}\text{C} \dots +105^{\circ}\text{C}$						
	Case Temperature	$+100^{\circ}\text{C}$ max.						
	Temperature Coefficient	$\pm 0.02\%$ Per°C						
	Humidity	95% RH						
Physical	MTBF	$>550,000$ h @ $25^{\circ}\text{C}$ (MIL-HDBK-217F)						
	Dimension (L x W x H)	$2.0 \times 1.6 \times 0.47$ Inches ( $50.8 \times 40.6 \times 11.9$ mm ) Tolerance $\pm 0.5$ mm						
	Case Material	Five-side shielded Aluminum with Non-Conductive base, Black Anodize						
	Weight	58 g						
Cooling Method	Free-air convection							

1.All specifications valid at normal input voltage, full load and  $+25^{\circ}\text{C}$  after warm-up time unless otherwise stated.  
2.Ripple & Noise are measured at 20MHz of bandwidth with 0.1 $\mu\text{F}$  & 47 $\mu\text{F}$  parallel capacitor.

**OUTPUT NOISE**

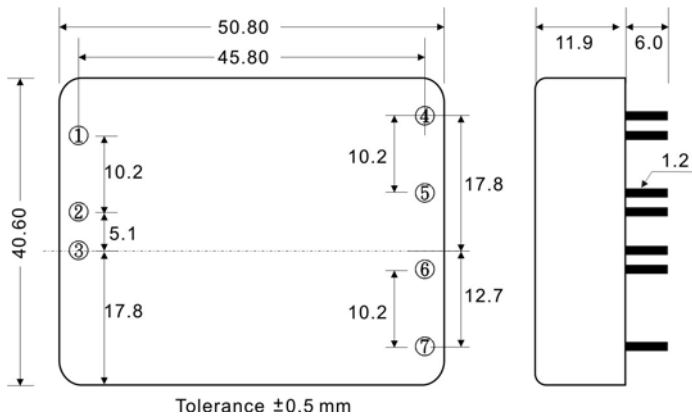
The output noise is measured with 10 $\mu\text{F}$  tantalum capacitor and 1 $\mu\text{F}$  ceramic capacitor across output.



**SK40 SERIES**

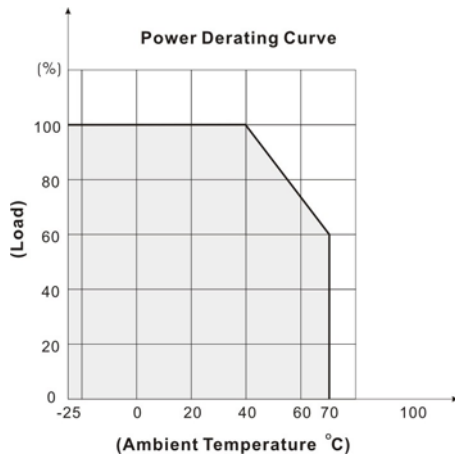
**30 Watts**

**MECHANICAL DIMENSION ( Top View )**

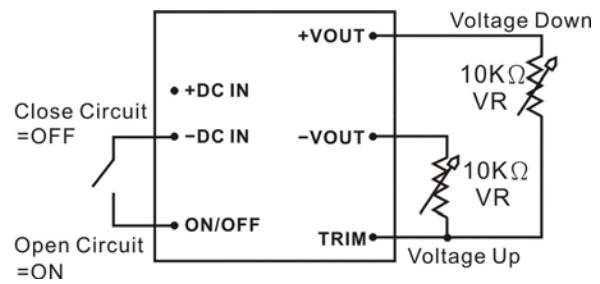


PIN#	Single
1	CTRL
2	-DC IN
3	+DC IN
4	TRIM
5	-DC OUT
6	+DC OUT
7	NO PIN

**DERATING**

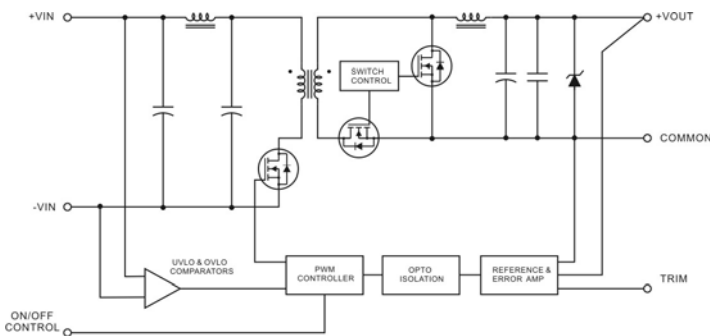


**REMOTE ON/OFF CONTROL & TRIM**

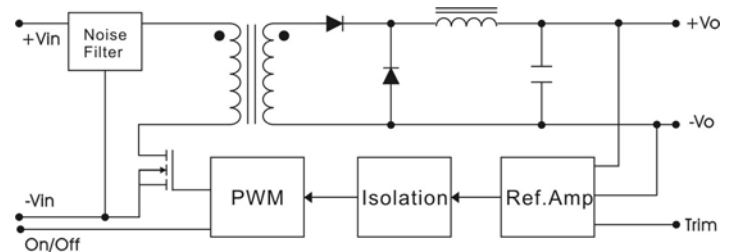


**BLOCK DIAGRAM**

Output Voltage (V.DC) : 1.8V, 2.5V, 3.3V, 5V



Output Voltage (V.DC) : 12V, 15V, 24V



SK40 SERIES

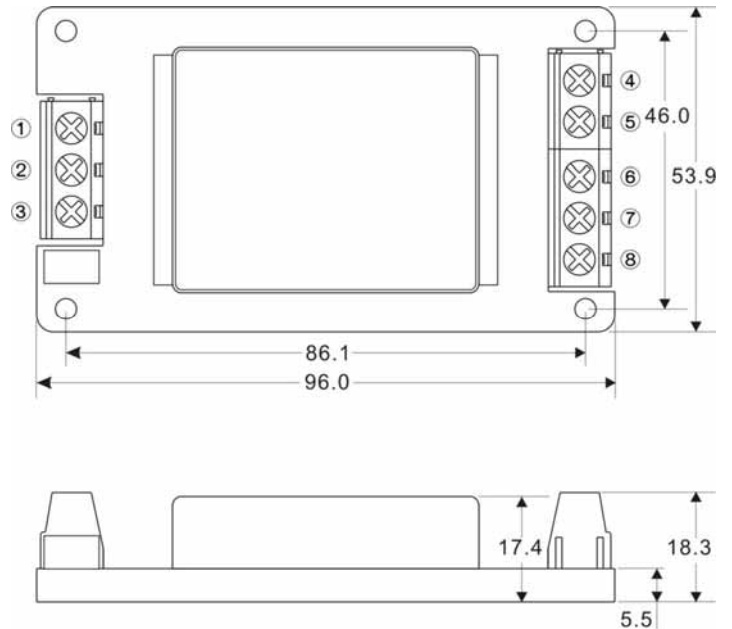
30 Watts

SCREW TERMINAL

SK40-A2



PIN#	Single
1	CTRL
2	-DC IN
3	+DC IN
4.	TRIM
5	-DC OUT
6	NO CONNECT
7	+DC OUT
8	NO CONNECT



SK40-A5



PIN#	Single
1	CTRL
2	-DC IN
3	+DC IN
4.	TRIM
5	-DC OUT
6	NO CONNECT
7	+DC OUT
8	NO CONNECT

