

SNB series - DC backup power supplies



- Wide AC input 90 - 264 VAC
- High efficiency, switched mode design
- Fully isolated output
- Power fail and battery fail alarms
- DC ok and battery ok LEDs
- Isolation diode
- Battery fused protected
- Overload and OVP protection of rectifier module
- Wall mount enclosure with battery "SNBW"
- AS3260 approved rectifier modules No. CS7067N
- Low volt disconnect - option



Description

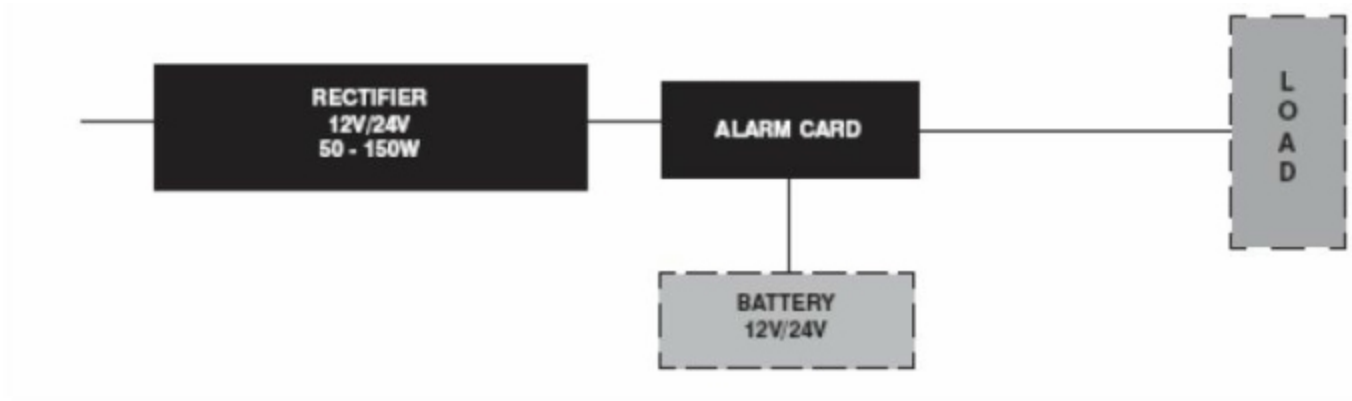
The SNB series battery chargers are designed for powering DC loads with battery back-up and are available in 12V and 24V systems from 50 - 150 watts. The rectifier modules used are of a high quality switched mode design, incorporating a high level of surface mount components providing long term reliability and performance.

Specifications

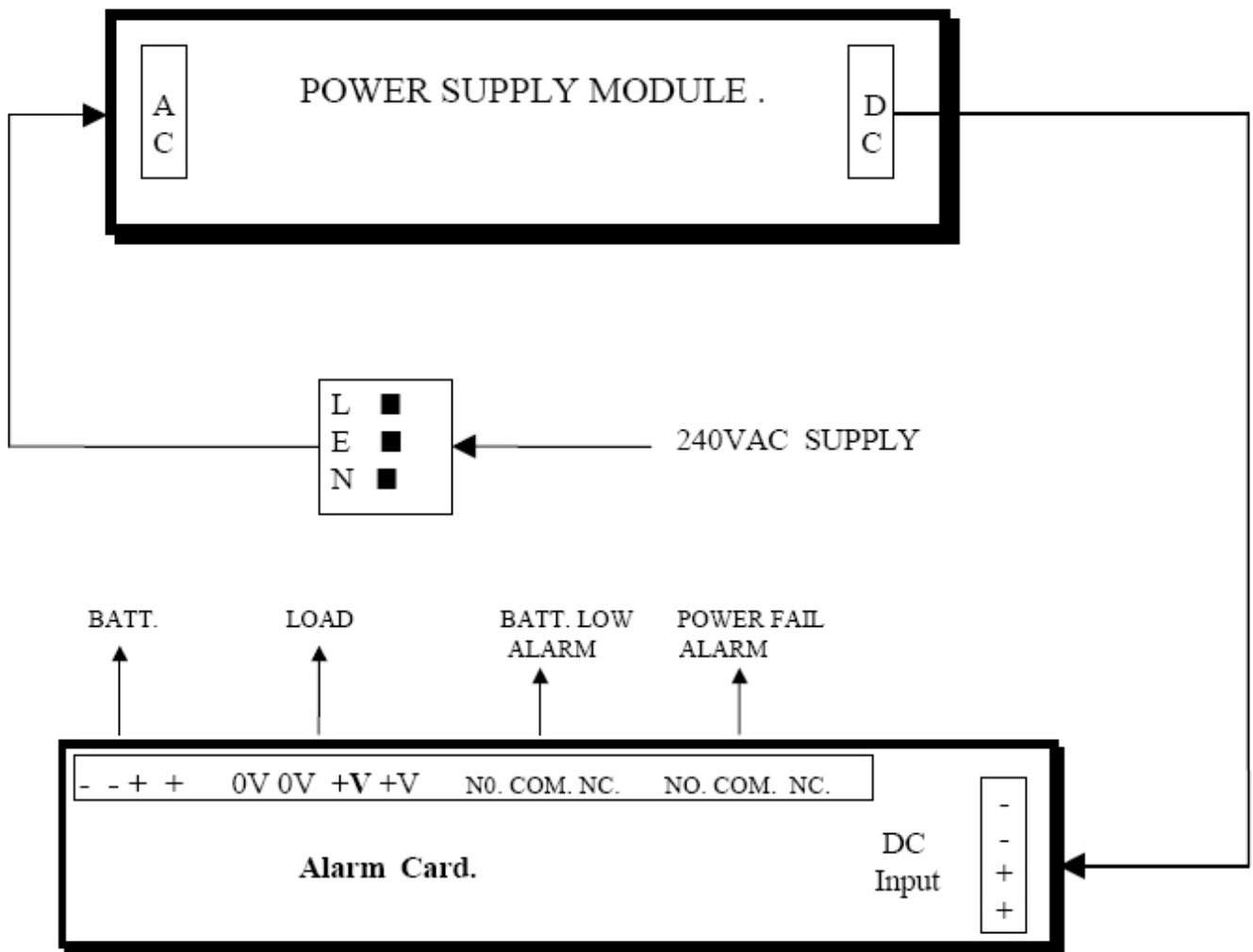
INPUT VOLTAGE:	90 - 264 VAC wide input
FREQUENCY:	47 - 63Hz
EFFICIENCY:	Model dependant, typically 85%
OUTPUT VOLTAGE:	12V set to float voltage of 13.8V 24V set to float voltage of 27.6V
VOLTAGE ADJUSTMENT:	12V (13.5 to 16) 24V (27 to 31)
OUTPUT POWER:	Three power levels, 50, 100 and 150W
LINE REGULATION	
LOAD REGULATION:	
RIPPLE & NOISE:	120 - 150mV pk-pk
TEMPERATURE DRIFT:	1% maximum over -10° to 50°C
PROTECTION:	Rectifier short circuit protected Rectifier OVP Rectifier overload current limited Battery fuse - 15A Battery low voltage disconnect option
ISOLATION:	Rectifier input - output 3000 VAC output - ground 500 VAC

SAFETY:	Designed to meet EN60950, AS3260
EMC:	EN55022 level A
COOLING:	Free air convection
HUMIDITY:	20 - 90% non- condensing
OPERATING TEMP:	10°C to +50°C
DIMENSIONS:	SNB series: 259 x 148 x 70mm 1~1.5Kg. SNBW series: 248 x 166 x 361mm 3~5.0Kg.
CONNECTIONS:	Screw terminal connections
INDICATORS:	Power Fail - LED Battery Fail - LED Power Fail (AC/Rectifier Fail) Battery Fail
ALARMS:	Alarms provided by voltage free relay contacts
Low Voltage Disconnect Option	Designed to protect the battery from deep discharge Operates at approx 1.6 ~ 1.65V per cell

SNB Series Block Diagram



SNB Series Wiring Diagram



- **Power Fail Alarm:** In the event of a mains failure or rectifier module failure the Power OK, LED will go off Power Fail Relay contacts will change state (NO. C. NC)
- **Battery Low Alarm:** The Battery Fail Alarm & LED will only operate in the event of Power Fail or Module Failure The Battery OK LED, will go off in the event Power Failure & Battery Failure / Low occur. The Battery Low Relay contacts, will change state (NO.C.NC) in the event Power Failure & Battery Failure / Low occur. Battery Fail Alarm will operate at about 11.0 ~11.5V or 22.0 ~23.0V (12 / 24V system)

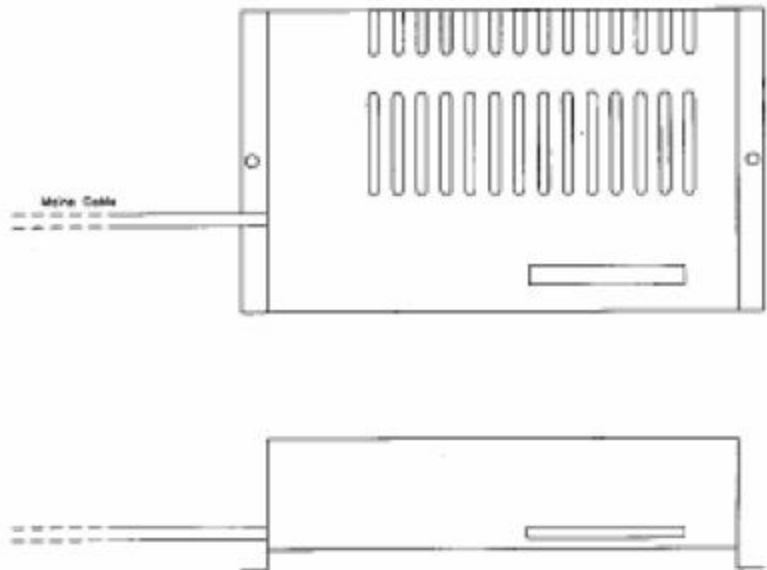
SNB Series wall mount version mechanical diagram

- Overall dimensions: 361 x 248 x 166mm
- Mounting hole diameter: 6mm
- Mounting hole pitch: 332 x 205mm
- Cable entry is via 25mm holes located in the right hand rear corners of top and bottom



SNB Series chassis mount version mechanical diagram

- Overall dimensions: 259 x 70 x 148mm
- Mounting hole diameter: 6mm
- Mounting hole pitch: 247 mm



Model Selection Table

Part Number	Vout	Iout	Power	Notes
SNB50-12	13.8V	3.5A	50W	For wall mount version add -WM to part number
SNB75-12	13.8V	5A	75W	For wall mount version add -WM to part number
SNB100-12	13.8V	7.5A	100W	For wall mount version add -WM to part number
SNB150-12	13.8V	10A	150W	For wall mount version add -WM to part number
SNB75-24	27.6V	2.7A	75W	For wall mount version add -WM to part number
SNB100-24	27.6V	3.6A	100W	For wall mount version add -WM to part number
SNB150-24	27.6V	5.2A	150W	For wall mount version add -WM to part number