

Single and Triple Output 60W Universal Input AC/DC Power Supplies

Unless stated otherwise, specifications are typical and rated at full load, nominal input voltage, convection cooling and 25°C.

INPUT

AC Input	Auto-ranging	90 to 132V 180 to 264V
Efficiency		85%
Input Frequency		47— 63 Hz
Input Current	Full load at low line	1.5Arms, max
Inrush Current	High line, cold start	75A, max

OUTPUT

Output Power	VLT60-1000 VLT60-3003 Other models	50W max 45W max 60W max
Voltage Set Point		See table
Hold-Up Time	115V/230V	6ms/10ms
Voltage Set Point Accuracy	V1 V2 and V3	+3% +5%
Line Regulation	Low line to high line	0.3%
Load Regulation	Min to 50% full load V1 V2 and V3	+3% +5%
Transient Response	50% to full load Voltage deviation Recovery Time	10%, max <5ms
OVP	V1 only 5V V1 only 3.3V	6.2V,+0.4V 3.95V,+0.25V
Overload Protection	Primary limited	Yes, 130%
Short Circuit Protection	Auto recovery <6s	Short Term
Ripple and Noise	V1 V2 and V3	65mV 1%
Output Rise Time	All Outputs	<100ms

ENVIRONMENTAL

Operating Temperature		0 to 50°C
Storage Temperature		-40 to 85°C
Cooling		Convection
Relative Humidity	Non condensing	95%, max
MTBF	MIL-HDBK-217F	>200,000 hrs

EMC AND SAFETY

CE Mark	Full compliance with the LVD	
EMC	EN55022-B, CISPR22-B, FCC Part 15 Class B, EN50082-1	
Agency Approvals	VDE, UL, c-UL	
Safety Standards	IEC950, EN60950, UL1950, CSA C22.2 No. 950 Class 1 SELV	
Safety File numbers	VDE: 18934-3336 UL: E150565	



Model Number	Output	Voltage/Current *	Voltage Set Point	Min. Load
VLT60-1000	V1	5V@10.0A	5.2V	0.2A
VLT60-1001	V1	12V@5.0A	12V	0.1A
VLT60-1002	V1	15V@4.0A	15V	0.1A
VLT60-1003	V1	24V@2.5A	24V	0.05A
VLT60-1004	V1	48V@1.25A	48V	0.03A
VLT60-3000	V1	5V@8.0A	5.2V	0.5A
	V2	12V@3.0A	12.5V	0.1A
	V3	-12V@0.5A	-12V	0.0A
VLT60-3001	V1	5V@8.0A	5.2V	0.5A
	V2	24V@1.5A	23.8V	0.1A
	V3	-12V@0.5A	-12V	0.0A
VLT60-3002	V1	5V@6.0A	5.2V	0.5A
	V2	15V@2.5A	14.6V	0.1A
	V3	-15V@0.5A	-15.5V	0.0A
VLT60-3003	V1	3.3V@8.0A	3.3V	0.5A
	V2	5V@3.0A	5.2V	0.1A
	V3	-12V@0.5A	-16.0V	0.0A

*Maximum current per output channel. Do not exceed total output power rating

MECHANICAL

AC Input Connector J1	Molex 3 position, 0.156 center header 26-60-4030-P or equivalent
Ground Connector	Spade connector
DC Output Connector J2	Molex 6 position, 0.156 center header 26-60-4060-P or equivalent
Size	2x4x1.08 (50.8x101.6x27.4mm)
Weight	5oz (150g)

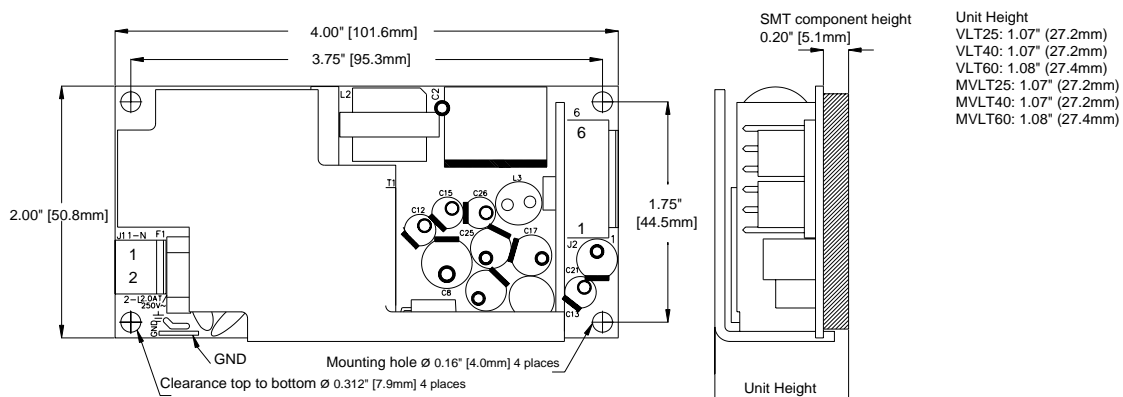
INPUT CONNECTOR J1

Pin 1	AC Neutral
Pin 2	AC Line
Input Spade Connector	
GND	AC Ground

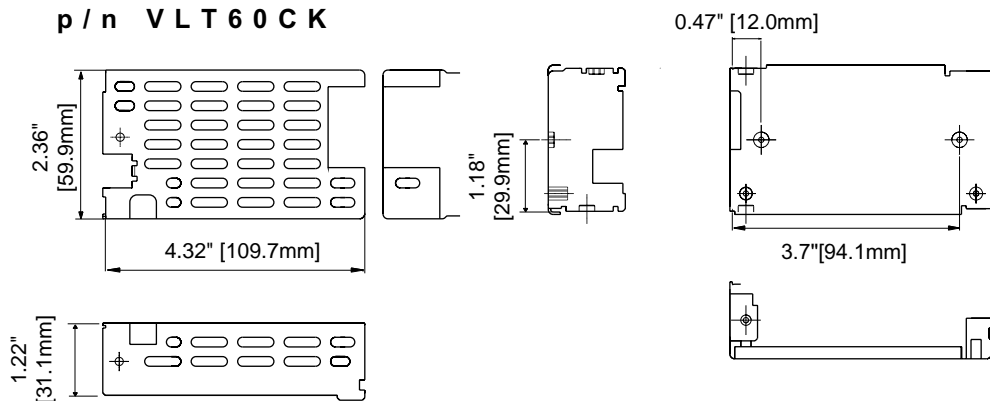
OUTPUT CONNECTOR J2

	Single Output	Triple Output
Pin 1	V1	V1
Pin 2	V1	V1
Pin 3	Common	Common
Pin 4	Common	Common
Pin 5	NC	V3
Pin 6	NC	V2

Dimensions



Cover Kit p/n VLT60CK



Contents

Mounting bracket
Cover
Insulator
M3 fixing screws

VLT60CK Derating Guidelines

VLT25/MVLT25: ambient $> 40^{\circ}\text{C}$, derate by 1.3W/ $^{\circ}\text{C}$ to 50 $^{\circ}\text{C}$.
5CFM fan recommended to circulate air.

VLT40/MVLT40: ambient $> 40^{\circ}\text{C}$, derate by 1.3W/ $^{\circ}\text{C}$ to 50 $^{\circ}\text{C}$.
5CFM fan recommended to circulate air.

VLT60/MVLT60: ambient $> 40^{\circ}\text{C}$, derate by 1.3W/ $^{\circ}\text{C}$ to 50 $^{\circ}\text{C}$.
5CFM fan recommended to circulate air.

Output Power

