

VLT80 Series

80W single and quad output AC/DC Power Supplies

- 80W convection cooled rating
- 3x5x1 inch package
- Class A harmonic current correction
- Ultra high efficiency >85%
- EN55022 and FCC Part 15 Level B
- Cover kit accessory available



Unless stated all specifications are typical and rated at full load, nominal input voltage, convection cooling and 25°C.

Model Number	Output	Nom Vout	Set Point	Output, Current	Min. Load
VLT80-1000 ²	V1	5V	5.1V	12.0A	1.0A
VLT80-1001 ²	V1	12V	12V	6.8A	0.4A
VLT80-1002 ²	V1	15V	15V	5.5A	0.4A
VLT80-1003 ²	V1	24V	24V	3.4A	0.2A
VLT80-1004 ²	V1	48V	48V	1.7A	0.2A
VLT80-1008 ²	V1	36V	36V	2.2A	0.2A
VLT80-4000	V1	5V	5.1V	10.0A	3.0A
	V2	12V	12.25V	3.0A	0.1A
	V3	-5V	-5.1V	0.8A	0.0A
	V4	-12V	-12.5V	0.8A	0.0A
VLT80-4001	V1	5V	5.1V	10.0A	3.0A
	V2	24V	24.0V	2.0A	0.1A
	V3	12V	12.5V	0.8A	0.0A
	V4	-12V	-12.5V	0.8A	0.0A
VLT80-4002	V1	5V	5.1V	10.0A	3.0A
	V2	15V	15.9V	3.0A	0.1A
	V3	-5V	-5.1V	0.8A	0.0A
	V4	-15V	-15.9V	0.8A	0.0A
VLT80-4003	V1	5V	5.1V	10.0A	3.0A
	V2	12V	12.25V	3.0A	0.1A
	V3	24V	23.6V	0.8A	0.0A
	V4	-12V	-12.5V	0.8A	0.0A
VLT80-4004	V1	3.3V	3.3V	10.0A	3.0A
	V2	5V	5.1V	3.0A	0.1A
	V3	12V	12.5V	0.8A	0.0A
	V4	-12V	-12.5V	0.8A	0.0A
VLT80CK	Metal cover kit accessory				

INPUT SPECIFICATIONS

Input	Universal AC DC	90 to 264Vac 120 to 370Vdc
Efficiency		85%
Input Frequency		47–63 Hz
Input Current	Full load at low line	2.0Arms, max
Inrush Current	High line, cold start	35A, max

Notes

1. Maximum current per output channel. Do not exceed total output power rating
2. Power fail and power good signal on quad output models only

OUTPUT SPECIFICATIONS

Output Power	Convection cooled	80W max
Voltage Set Point		See table
Hold-Up Time	115V/230V	10ms/18ms
Voltage Set Point Accuracy	V1 V2, V3, V4	+3% +5%
Line Regulation	Low line to high line	0.3%
Load Regulation	Min to full load V1 V2, V3, V4	+1% +5%
Transient Response	50% to full load Voltage deviation Recovery time	10%, max <1ms
OVP	V1 only 5V 3.3V	6.2V, ±0.4V 3.9V, ±0.25V
Overload Protection	Primary limited	105W, ±15W
Short Circuit Protection	Auto Recovery <6s	Short Term
Ripple and Noise		1%
Power Fail Signal ²	TTL	2ms warning
Power Good Signal ²	Delay after V1 high	100ms, min
Output Rise Time		<40ms

ENVIRONMENTAL SPECIFICATIONS

Operating Temperature	No derating Linear derate to 50%	0 to 50°C 51 to 70°C
Storage Temperature		-40 to 85°C
Cooling	Convection	80W
Relative Humidity	Non condensing	95%, max
MTBF	MIL-HDBK-217F	>200,000 hrs

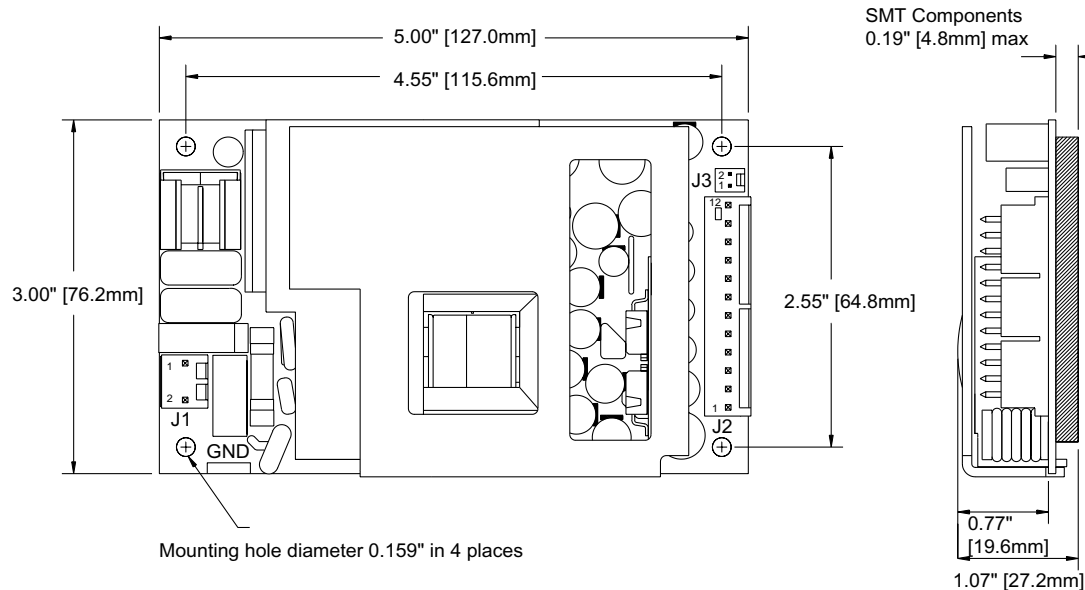
VLT80 Series

80W single and quad output AC/DC Power Supplies

	header 26-60-4030 or equivalent
Ground Connector	Spade connector, 0.25"
DC Output Connector J2	Molex 12 position, 0.156 center header 26-60-4120 or equivalent
Output Connector J3	Molex 2 position, 0.100 center header 22-23-2021 or equivalent
Size	3x5x1.07" (76.2x126.9x27.2mm)
Weight	9oz (250g)

EMC AND SAFETY SPECIFICATIONS

CE Mark	Full compliance with the LVD
EMC	EN55022-B, CISPR22-B, FCC Part 15 Class B, EN50082-1
Harmonic Correction	EN61000-3-2 Class A
Agency Approvals	VDE, UL, c-UL
Safety Standards	IEC950, EN60950, UL1950, CSA 22.2 No 950 Class 1 SELV
Safety File numbers	VDE: 18934-3336 UL: E150565



INPUT CONNECTOR J1

Pin 1	AC Neutral
Pin 2	AC Line
Input Spade Connector	
GND	AC Ground

OUTPUT CONNECTOR J2

	Single Output	Quad Output
Pins 1,2,3,4	V1	V1
Pins 5,6,7,8	DC Return	DC Return
Pins 9,10	NC	V2
Pin 11	NC	V3
Pin 12	NC	V4

OUTPUT CONNECTOR J3

Pin 1	Common
Pin 2	Power Fail/Good