

WLT100 Series

Single Output AC/DC Power Supplies



- Smallest 100W AC/DC Power Supply
- 2x4x1.15 inch industry standard package
- EN61000-3-2 Harmonics Class D
- Active Power Factor correction

Model Number	Output	Nom Vout	Set Point	Output ¹ Current	Min. Load
WLT100-1001	V1	12V	12V	16.6A	0A
WLT100-1002	V1	15V	15V	13.3A	0A
WLT100-1003	V1	24V	24V	8.3A	0A
WLT100-1004	V1	48V	48V	4.2A	0A

¹ Maximum current per output channel. Do not exceed total output power rating.

INPUT SPECIFICATIONS

AC Input	Universal	90 to 264V
Efficiency	WLT100-1001	88% TYP
Input Frequency		47-63 Hz
Input Current	Full Load at Low Line	2Arms, max
Inrush Current	115VAC	45A, max

EMC AND SAFETY SPECIFICATIONS

CE Mark	Full compliance with the LVD
EMC	EN55022-B, CISPR22-B, FCC PART 15 CLASS B
Harmonic Correction	EN61000-3-2 CLASS D
Agency Approvals	UL, c-UL, NEMKO
Safety Standards	IEC950, EN60950, UL1950, CSA C22.2 No. 950 CLASS 1 SELV

OUTPUT SPECIFICATIONS

Output Power	100W max	
Voltage Set Point	See table	
Hold-Up Time	115V/230V	6ms/10ms
Set Point Accuracy	V1	± 3%
Line Regulation	Low Line to High Line	± 0.5%
Load Regulation	Min to Full Load V1	- ± 2%
Transient Response	50% to Full Load Voltage Deviation Recovery Time	10%, max <5mS
Overload Protection	V1 only	130%, max
Short Circuit Protection	Auto Recovery	<6s
Ripple and Noise		1%
Output Rise Time		<100mS
Turn On Delay	115VAC	2 seconds, max

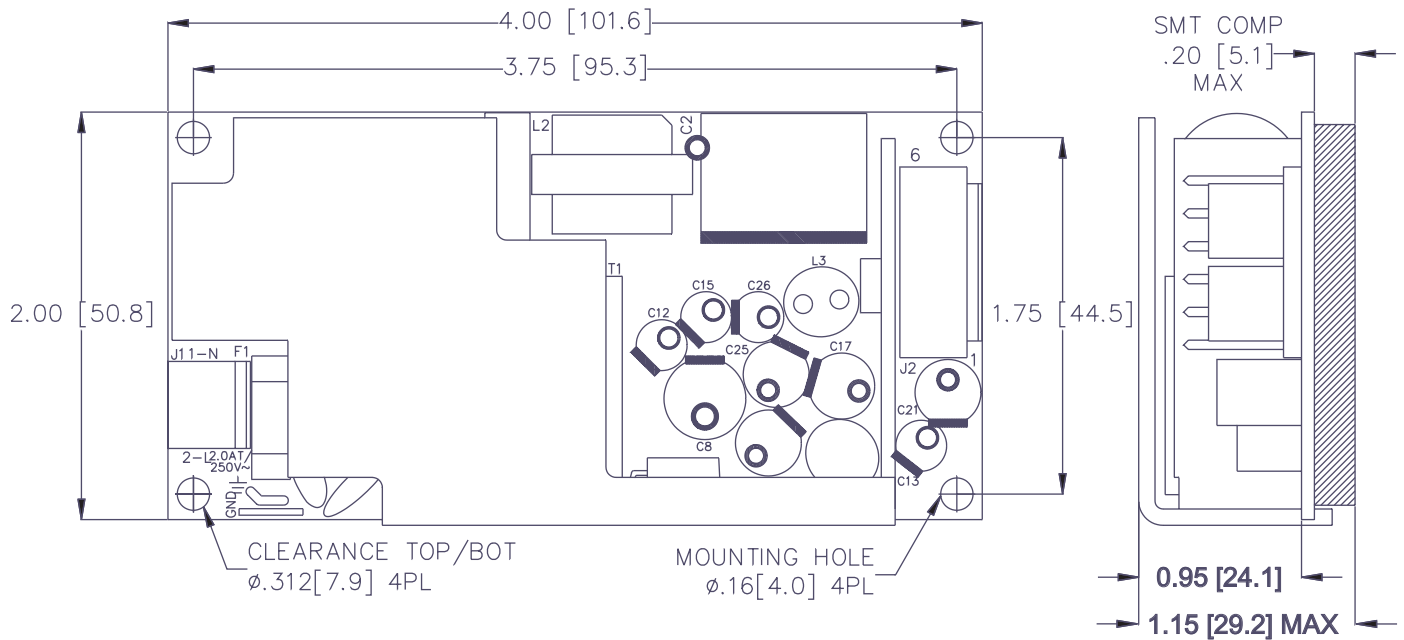
ENVIRONMENTAL SPECIFICATIONS

Operating Temperature	No derating Linear derate to 50%	0 to 50°C 50°C to 70°C
Storage Temperature		-40 to 85°C
Cooling	Convection	100W
Relative Humidity	Non condensing	95%, max
MTBF	BELLCORE TR-322	>200,000 hrs

Unless stated all specifications are typical and rated at full load, nominal input voltage, convection cooling and 25°C.

WLT100 Series

Single Output AC/DC Power Supplies



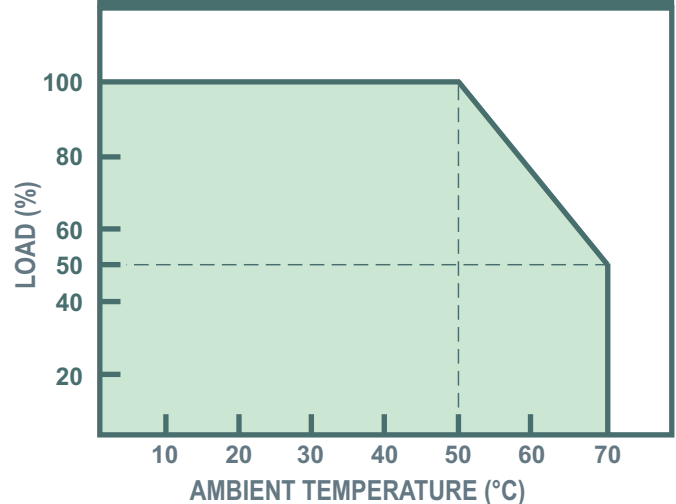
INPUT CONNECTOR (J1)

Pin 1	AC Line
Pin 2	N/A
Pin 3	AC Neutral

OUTPUT CONNECTOR (J2)

Pin 1, 2	V1
Pin 3, 4	GND

DERATING CURVE



MECHANICAL SPECIFICATIONS

AC Input Connector J1	Molex 3 position, 0.156" center header #26-60-4030 or equivalent
DC Output Connector J2	Molex 6 positions, 0.156"
Size	2x4x1.15 inches (50.8x101.6x29.2mm)
Weight	8oz (226.8g)