

KEY FEATURES

- Switching Power Module for PCB Mountable
- Fully Encapsulated Plastic Case
- Regulated Output and Low Ripple and Noise
- Small Size as ANC 15Watt with 50Watt Higher Power
- CE, UL Approval



ELECTRICAL SPECIFICATIONS

All specifications valid at normal input voltage, full load and +25°C after warm-up time unless otherwise stated.

Model No. (Single Output)	ANC50-5S	ANC50-12S	ANC50-15S	ANC50-24S	ANC50-48S	
Max Output Wattage (W)	40W	50W	50W	50W	50W	
Input	Voltage					
	90-264 VAC or 120-370 VDC					
	Frequency (Hz)					
	47-63 Hz					
	Current (Full load)					
	1000 mA max. (115 VAC) / 600 mA max. (230 VAC)					
Inrush Current (<2ms)						
40 A max. (115 VAC) / 60 A max. (230 VAC)						
Leakage Current						
0.25 mA max.						
External Fuse (recommend)						
3.15 A slow blow type						
Output	Voltage (V.DC.)	5V	12V	15V	24V	48V
	Voltage Accuracy	±2%				
	Current (mA) max	8000	4167	3333	2083	1040
	Line Regulation (LL-HL) (typ.)	±1%				
	Load Regulation (0-100%) (typ.)	±1%				
	Minimum Load	0%				
	Maximum Capacitive Load	10000 uF	3500 uF	3000 uF	2200 uF	330uF
	Ripple & Noise	120mV	120mV	150mV	240mV	480mV
	Efficiency (at 230 VAC)	86%	90%	87%	88%	89%
	Hold-up Time	10 ms min.				
Switching Frequency (typ.) (at 230 VAC)	65 kHz					
Protection	Over Power Protection	Hiccup technique, auto-recovery				
	Over Voltage Protection	Zener diode clamp				
	Short Circuit Protection	Hiccup mode, indefinite (automatic recovery)				
Isolation	Input-Output (V.AC)	3000V				
	Input-FG (V.AC)	1500V				
	Output-FG (V.AC)	500V				
Environment	Operating Temperature	-40°C...+70°C (with derating)				
	Storage Temperature	-40°C...+85°C				
	Temperature Coefficient	±0.02%/°C				
	Humidity	95% RH				
	MTBF	>300,000 h @ 25°C (MIL-HDBK-217F)				
Physical	Dimension (L x W x H)	2.91 x 2.13 x 0.86 Inches (74.1 x 54.1 x 21.8 mm) Tolerance ±0.5 mm				
	Case Material	Plastic resin (flammability to UL 94V-0)				
	Weight	166 g				
	Cooling Method	Free air convection				

ELECTRICAL SPECIFICATIONS

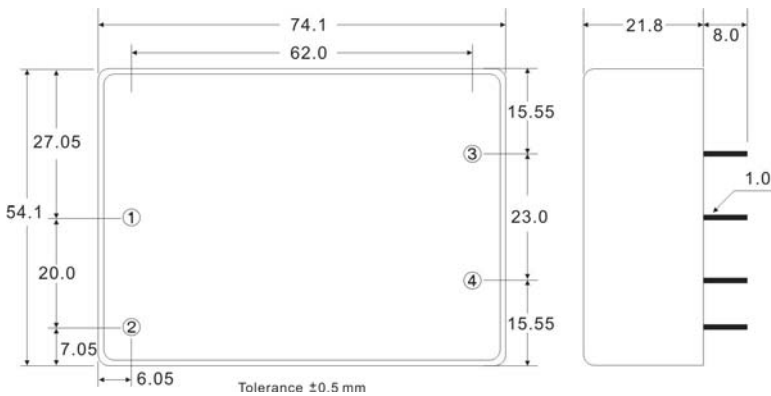
All specifications valid at normal input voltage, full load and +25°C after warm-up time unless otherwise stated.

Model No. (Single Output)	ANC50-5S	ANC50-12S	ANC50-15S	ANC50-24S	ANC50-48S
Safety	Agency Approvals CE, UL/cUL				
EMC	EMI (Conducted & Radiated Emission)	EN 55022			
	EMS (Noise Immunity)	EN 55024			
	ESD	EN61000-4-2 air ± 8kV , Contact ± 4kV (A)			
	Radiated Immunity	EN61000-4-3 3V/m (A)			
	Fast Transient	EN61000-4-4 ± 1kV (A)			
	Surge	EN61000-4-5 ±2kV (A)			
	Conducted Immunity	EN61000-4-6 3Vrms (A)			
	PFMF	EN61000-4-8 1A/m (A)			
	Dips	EN61000-4-11 30% 500ms (A)			

NOTE

1. Ripple & Noise are measured at 20MHz of bandwidth with 0.1uF & 47uF parallel capacitor.
2. It's recommended to add Varistor 14S471K at L / N input side in parallel.
3. Please refer to our PDF file "AC-DC Application" on our website: www.archcorp.com.tw

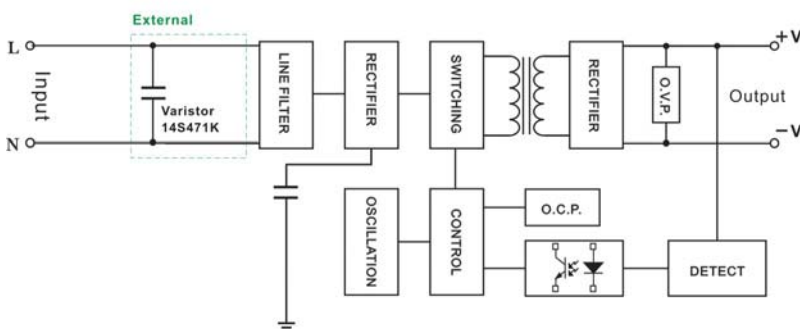
MECHANICAL DIMENSION (Top View)



PIN#	Single
1	AC IN (N)
2	AC IN (L)
3	-DC OUT
4	+DC OUT

BLOCK DIAGRAM

Single Output



DERATING

